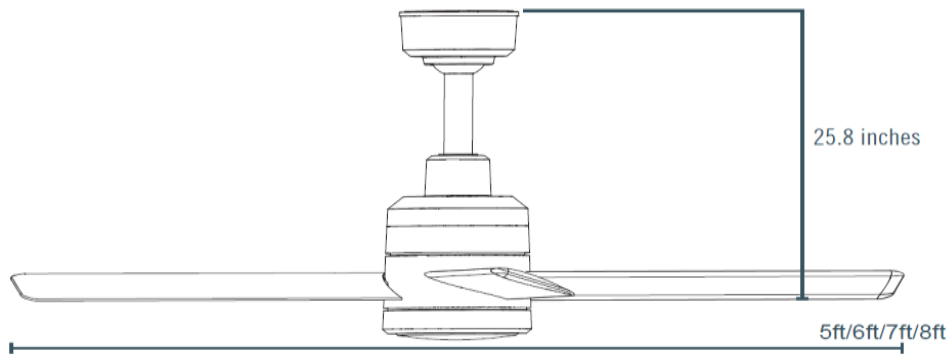




AIRFOIL DIAMETER	5ft	6ft	7ft	8ft
Airfoil Material	6061-T6 Aircraft Grade Aluminum			
Number of Airfoils	4			
Airfoil Finish Colors	Fresh White, Matte Silver, Matte Black			



PERFORMANCE	5ft	6ft	7ft	8ft
Max Speed (MPH)	8	8	8	8
Recommended Spacing	20ft	24ft	28ft	30ft
Max Affected Area (SQFT)	400	576	784	1024
Sound Level dBA at Max Speed	50.8	46.7	53.9	53.7
Air Volume (CFM)*	13,032	17,895	22,110	24,758

HANGING REQUIREMENTS	5ft	6ft	7ft	8ft
Hanging Weight (lbs)	48	48.5	49	49.5



MOTOR	5ft	6ft	7ft	8ft
Motor Type	Reversible, 8-Speed DC Motor			
Max Watts	91.2	103	90.7	118.7

MAX AMP DRAW	5ft	6ft	7ft	8ft
120V Single Phase	1.16A			
240V Single Phase	0.52A	0.68A	0.65A	0.68A

POWER AND CONTROLS

Power Source	AC 1PH 100-120V 50-60HZ, AC 1PH 200-240V 50-60HZ
Control Options	Remote Control Included

INSTALLATION

Mounting Options	Standard/Angled
Downrod Length	11 in Standard Downrod Optional downrod sizes: 24in, 36in, 48in, 60in
Motor Wiring	Pre-wired motor cables, pre-assembled downrod

RATING AND COMPLIANCE

Wash Down Duty Rating	UL 507 Wet Rated & IP45
Certifications	ETL/Intertek-certified to ANSI/UL 506 and CSA C22.2 No. 113 in North America International Low Voltage Directive: 2014/35/EU. IEC / EMC / CE
Safety Features	Safety Retention Cable
Warranty	3 Year Warranty